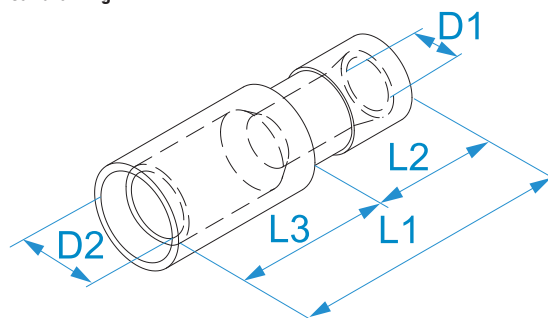


Product family: Terminals - Insulated quick-connect terminals
Item code: 00140, 00240, 00244, 00340
Description: CYLINDER PLUG - PVC INSULATED AND ANTI-VIBRATING - FEMALE

Image



Technical drawing



Specifications

TERMINAL MATERIAL: tinned brass
END-SLEEVE MATERIAL: copper
INSULATION MATERIAL: polyvinylchloride (PVC)
OPERATING TEMPERATURE: 75 °C max
INSULATION SELF-EXTINGUISHING GRADE: UL 94 V0
RATED VOLTAGE: 300V max
HOW TO ASSEMBLE: double crimping

Code	Color	Section (mm ²)	Section (AWG)	L1 (mm)	L2 (mm)	L3 (mm)	D1 (mm)	D2 (mm)	
00140*		0.25 ÷ 1.5	(22 - 16)	23,5	9,5	8,4	3,8	4	100/1000
00240*		1.5 ÷ 2.5	(16 - 14)	23,5	9,5	8,7	4,3	5	50/500
00244*		1.5 ÷ 2.5	(16 - 14)	23,5	9,5	8,7	4,3	4	
00340		4 ÷ 6	(12 - 10)	25	12	8,2	6,2	5	50/500