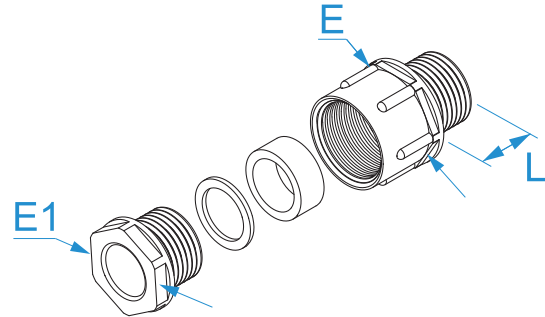


Product family: Nylon cable glands - PG thread
Item code: 3596, 3597, 3598, 3599, 3600, 3601, 3602, 3603, 3604, 3605
Description: NYLON CABLE GLANDS · PG THREAD · IP54 · REINFORCED WITH FIBERGLASS

Image




Technical drawing



Specifications

MATERIAL: polyamide reinforced with fiberglass
SELF-EXTINGUISHING: UL 94 HB
OPERATING TEMPERATURE: from -20 °C to +80 °C
ACCORDING TO STD.: EN 62444:2013
ASSEMBLY: tighten on a flat and smooth surface

Code	Color	PG thread size (DIN40430)	Ø cable (mm)	L (mm)	E wrench (nut)	E1 wrench (locknut)	
3596	Grey RAL 7035	PG 7	3,5 - 6	8	15	13	50/50
3597	Grey RAL 7035	PG 9	4,5 - 7	8	19	16	50/50
3598	Grey RAL 7035	PG 11	6 - 9	8	22	19	50/50
3599	Grey RAL 7035	PG 13.5	9 - 12	9	24	21	50/50
3600	Grey RAL 7035	PG 16	11 - 14	10	27	23	50/50
3601	Grey RAL 7035	PG 21	14 - 18	11	33	30	25/25
3602	Grey RAL 7035	PG 29	18 - 25	11	42	40	20/20
3603	Grey RAL 7035	PG 36	25 - 32	13	53	50	10/10
3604	Grey RAL 7035	PG 42	30 - 38	13	60	55	10/10
3605	Grey RAL 7035	PG 48	38 - 44	15	65	60	5/5

