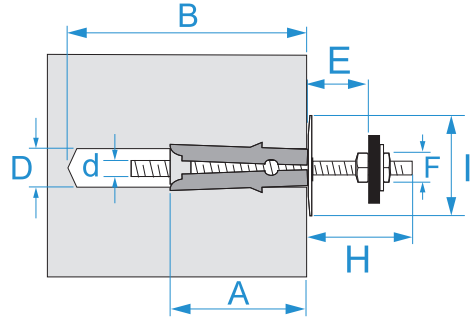


**Product family:** Fixings - Light fixings  
**Item code:** F0481, F0482  
**Description:** HEAVY DUTY ANCHORS · TM · WITH DOUBLE NUT

**Image**



**Technical drawing**



**Specifications**

**WALL PLUG TYPE:** anchors TM  
**WALL PLUG MATERIAL:** galvanized steel  
**CONE MATERIAL:** brass  
**SCREW MATERIAL:** galvanized steel  
**INSTALLATION TYPE:** non-through

Code	D (mm)	A (mm)	B (mm)	d (mm)	I (mm)	E max (mm)	H (mm)	F (mm)	
F0481	8	40	50	M4	20	25	35	7	100/800
F0482	9	45	55	M5	24	30	40	8	50/400

